

**PLEASE CHECK WWW.MOLEX.COM FOR LATEST PART INFORMATION**

**Part Number:** [0350289902](#)  
**Status:** **Active**  
**Description:** 1.78mm (.070") Tab Terminal, Female, 18-20 AWG (0.82-0.52mm<sup>2</sup>), Pre-Tin Plated

**Documents:**

<a href="#">Drawing (PDF)</a>	<a href="#">Product Specification PS-35028-004 (PDF)</a>
<a href="#">Product Specification PS-35028-002 (PDF)</a>	<a href="#">Product Specification PS-35314-001 (PDF)</a>
<a href="#">Product Specification PS-35028-003 (PDF)</a>	<a href="#">RoHS Certificate of Compliance (PDF)</a>

**General**

Product Family	Crimp Terminals
Series	<a href="#">35028</a>
Crimp Quality Equipment	Yes
Product Name	N/A

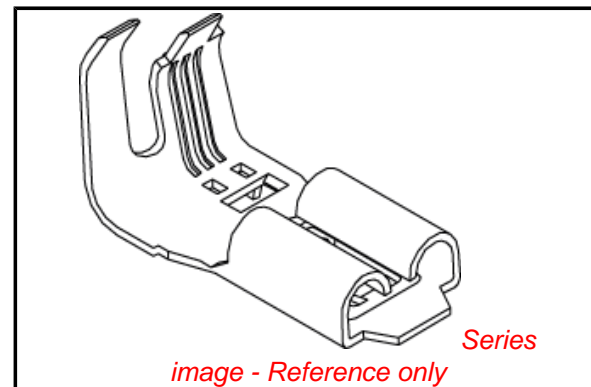
**Physical**

Gender	Female
Material - Metal	Phosphor Bronze
Material - Plating Mating	Tin
Material - Plating Termination	Tin
Packaging Type	Reel
Plating min: Mating (µin)	32.00
Plating min: Mating (µm)	0.800
Plating min: Termination (µin)	32.00
Plating min: Termination (µm)	0.80
Wire Insulation Diameter	3.60mm (.142") max.
Wire Size AWG	18, 20
Wire Size mm <sup>2</sup>	N/A

**Material Info**

**Reference - Drawing Numbers**

Product Specification	PS-35028-002, PS-35028-003, PS-35028-004, PS-35314-001
-----------------------	--



**EU RoHS**

**ELV and RoHS  
Compliant**  
**REACH SVHC  
Contains SVHC: No**  
**Halogen-Free  
Status**

**China RoHS**



**Need more information on product  
environmental compliance?**

Email [productcompliance@molex.com](mailto:productcompliance@molex.com)  
 For a multiple part number RoHS Certificate of Compliance, [click here](#)

Please visit the [Contact Us](#) section for any non-product compliance questions.

**Search Parts in this Series**

[35028Series](#)

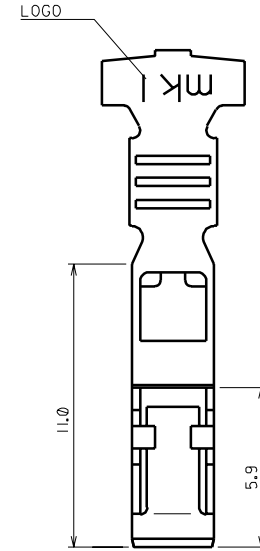
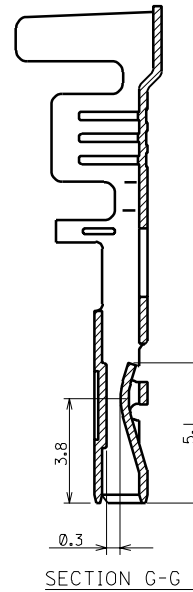
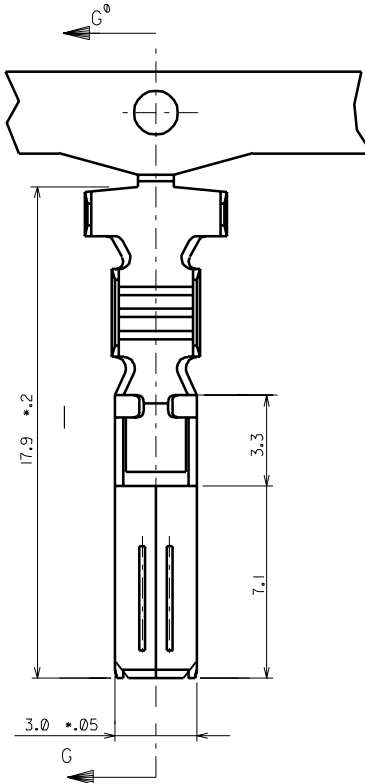
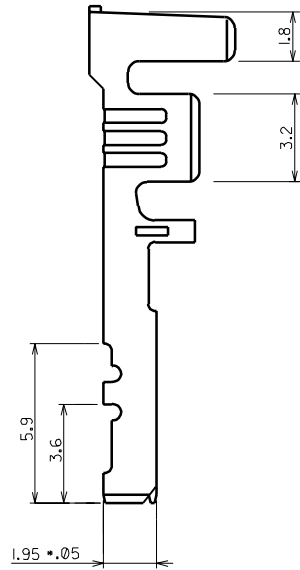
**Mates With**

2.54mm (.100") Male Tab

**Use With**

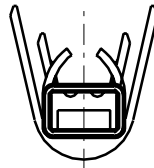
[35153](#)

**PLEASE CHECK WWW.MOLEX.COM FOR LATEST PART INFORMATION**



NOTE

1. MATERIAL: PHOSPHOR BRONZE  
THICKNESS : 0.30 ± 0.02  
WIDTH : 23.4 ± 0.08
2. PLATING: PREPLATING (REFLOW TREATMENT)
3. WIRE SIZE : AWG #18±#20 35028-9902  
AWG #14±#20 35028-9802  
AWG #18±#22 35028-9010  
AWG #14±#20 35028-1112  
AWG #14±#20 35028-1111



F	REVISE		96/05/15	MATERIAL	SEE NOTES	MOLEX-KOREA CO.,LTD.
E	REVISE		96/05/09	GENERAL TOLERANCE	DIMENSION : ± 0.15	
D	REVISE		96/04/09	ANGLE : ± 0.5°		
C	REVISE	95-079	95/08/11	DIMENSION CLASSIFICATION	▽ : CRITICAL ▼ : MAJOR	
B	REVISE	94-011	94/06/25	( ) : REFERENCE		
A	NEW RELEASE		91/12/26	ASS'Y PART		
LTR	REVISION RECORD	ECN	DATE	DESCRIPTION	ENG. NO.	
REVISE ONLY ON CAD SYSTEM						
					ENG. NO.	SD35028-*****
					TITLE :	.070 FEMALE TERMINAL
					SCALE	5/1
					CHK'D BY	H.J.KIM
					APP'D BY	
					SHEET	10F1
					REV	F